

7.6. Descaling

Descaling signal: when the "**descaling**" warning light blinks YELLOW and the machine beeps 3 times, a descaling cycle should be carried out, as illustrated below.

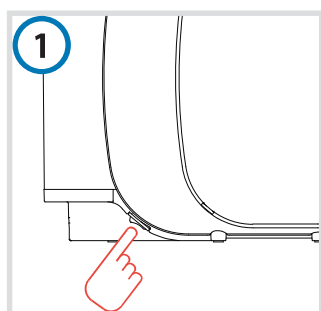
The machine features an advanced program that monitors how much water is used to dispense beverages. This measurement provides the user with indications as to when the machine needs to be descaled.

It is advisable to use the Caffita System descaling agent. It has been designed to comply with the technical characteristics of the machine, in full observance of consumer safety. The descaling agent must be disposed of in compliance with manufacturer instructions and/or with current regulations in force in the country where the appliance is used.

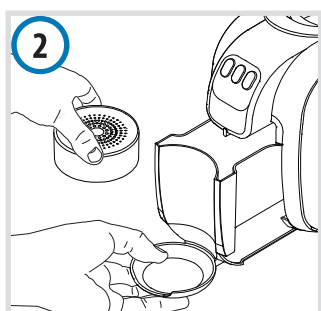


CAREFULLY read the directions for use on the package of the descaling agent. Avoid contact with eyes, skin and machine surfaces. Switch the machine off during descaling, and do not lift the lever. A person must always be present during the operation.

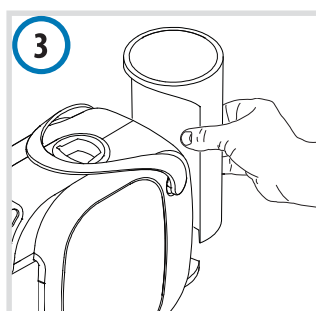
Do not use vinegar: it could damage your machine!



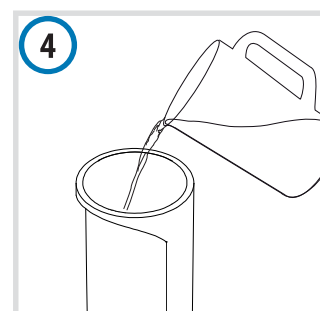
Switch the machine off by pressing the power on/off switch.



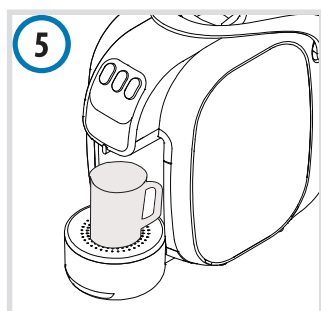
Empty and rinse out the used capsule drawer and drip tray.



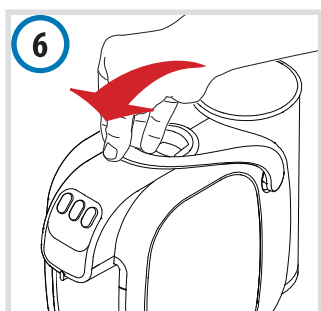
Remove and empty the water tank.



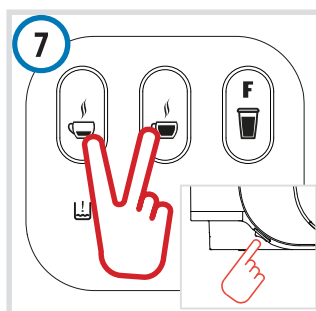
Mix the contents of a bottle of Caffitaly System descaling agent with approximately 750 cc. of water (a total of 1 litre) and pour into the tank.



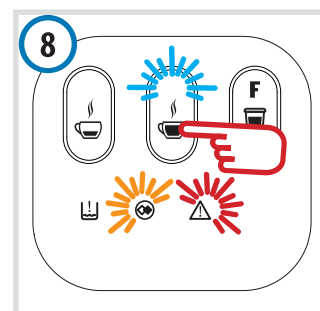
Place a container (at least 500 ml) under the coffee dispensing spout



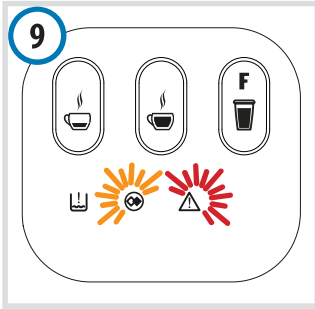
Make sure that the lever is lowered and that there is no capsule inside the capsule compartment.



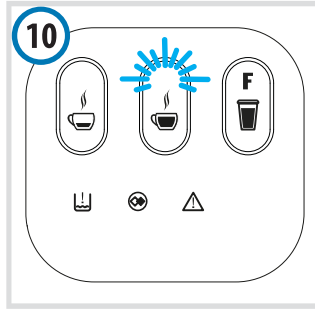
Press and hold the **espresso** and **long coffee** buttons simultaneously and at the same time turn on the machine by pressing the power on / off switch.



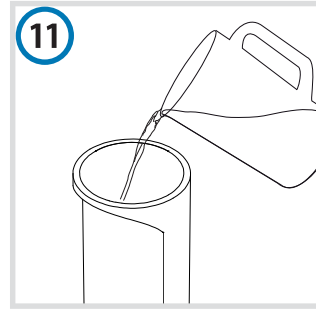
The **long coffee** button is lit, while the **descaling** and **multifunction** warning lights blink respectively in **YELLOW** and **RED** alternately. Press the **long coffee** button to start the descaling cycle.



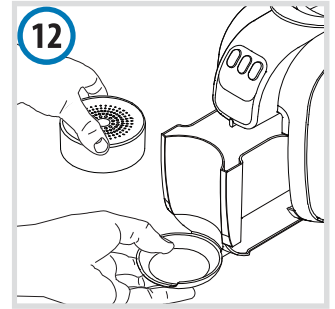
The appliance dispenses the descaling agent at intervals (5 doses with a 4 minute pause between each one, for a total duration of about 25 minutes). During this step, when the buttons must not be pressed, the **descaling** and **multifunction** warning lights blink respectively in **YELLOW** and **RED** alternately.
If the container fills up, empty it out.



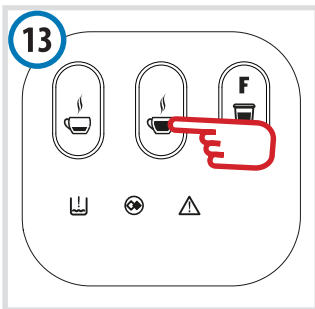
When the first step is over, the **long coffee** button lights up and the machine beeps repeatedly. The water tank is empty.



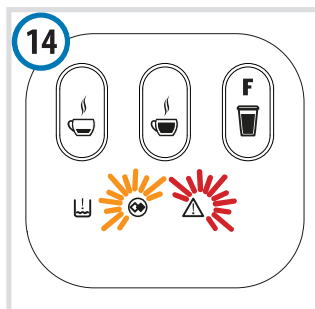
Carefully rinse out the water tank and refill it with fresh water.



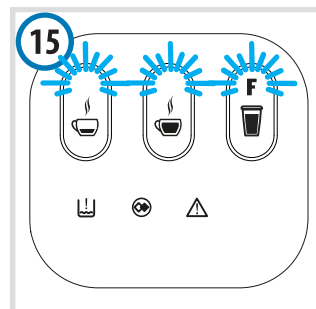
Empty and rinse the used capsule drawer, the drip tray and the container used and put them back in place.



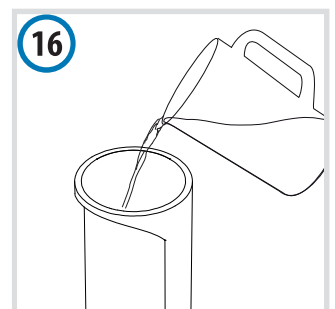
Press the **long coffee** button to start the rinse cycle.



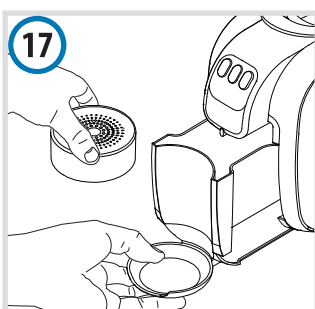
Rinse water (about 500 ml) will be run through the machine. During this stage, the **descaling** and **multifunction** warning lights blink alternately.



When the rinse cycle is over, the machine emits a beep and the buttons (**espresso**, **long coffee**, **filter coffee**) blink at the same time; the machine is in the heating phase. When the buttons turn on and remain steadily lit, the appliance is ready for use.



Carefully empty and rinse out the water tank and refill it with fresh, still water.

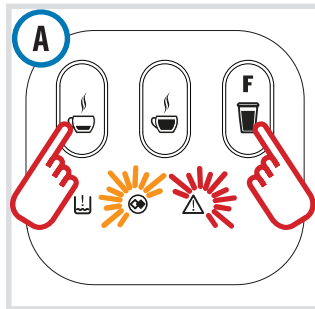


Empty and rinse out the used capsule drawer and drip tray.

7.6.1. Exiting the descaling cycle - Resetting the cycle

If the descaling cycle is selected accidentally, exiting is possible by switching the machine off and back on again. This does not delete the signal on the control panel.

It is possible to cancel the descaling alarm by RESETTING while running the descaling cycle. To RESET, press and hold the **ESPRESSO** and **FILTER COFFEE** buttons for 3 seconds; this cancels the alarm alert.



Press the **espresso** and **filter coffee** buttons to RESET the descaling cycle. The machine will emit 3 beeps.